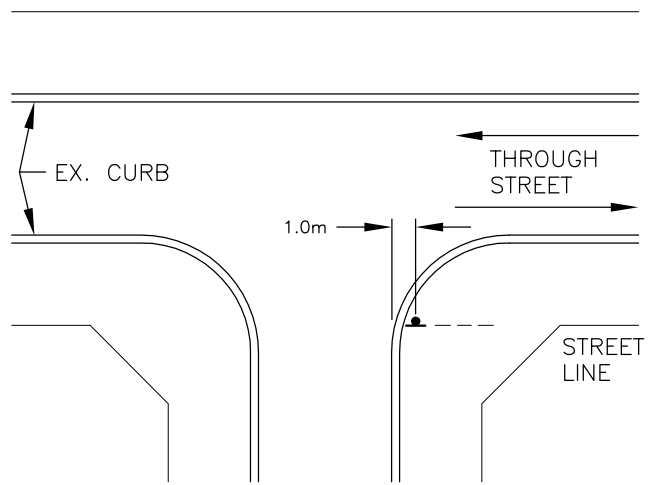
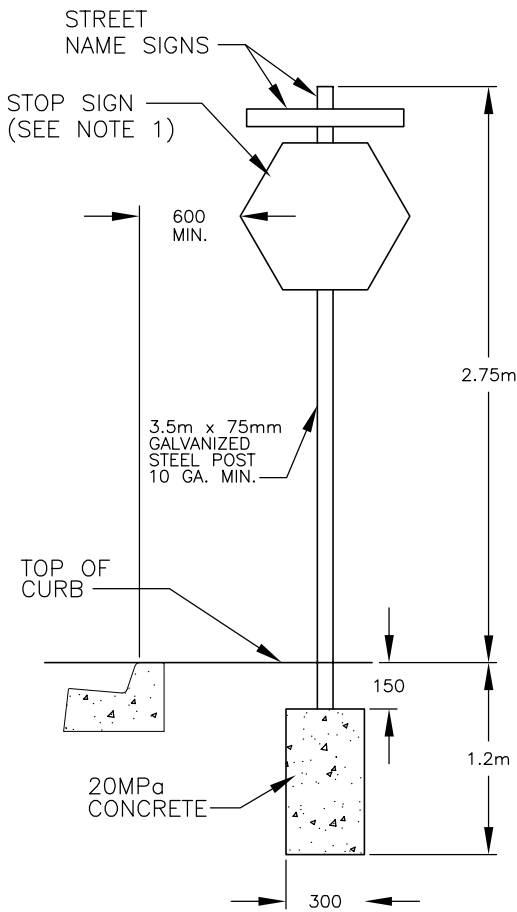


4-WAY INTERSECTION
OR 3 WAY WITH STOP BAR
AND YELLOW CENTRELINE 20m



3-WAY INTERSECTION



NOTES:

1. ALL CLASSES OF REGULATORY SIGNAGE IN ACCORDANCE WITH ONTARIO TRAFFIC MANUAL BOOK 5.

ALL DIMENSIONS IN MILLIMETRES EXCEPT WHERE NOTED

THE CORPORATION OF THE TOWN OF WHITBY

PUBLIC WORKS DEPARTMENT

CHECKED	<i>GH</i>
APPROVED	<i>AB</i>
SCALE:	N.T.S

STREET SIGN LOCATION

DWG. DATE:	MAY 1997
REVISION No.:	2
REVISION DATE:	MAY 2006
DWG No.	500