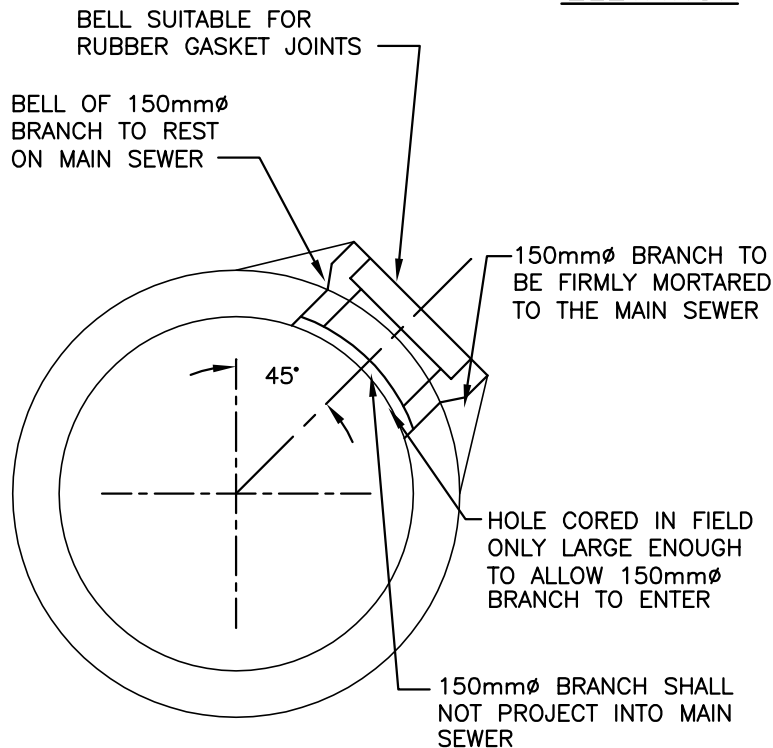
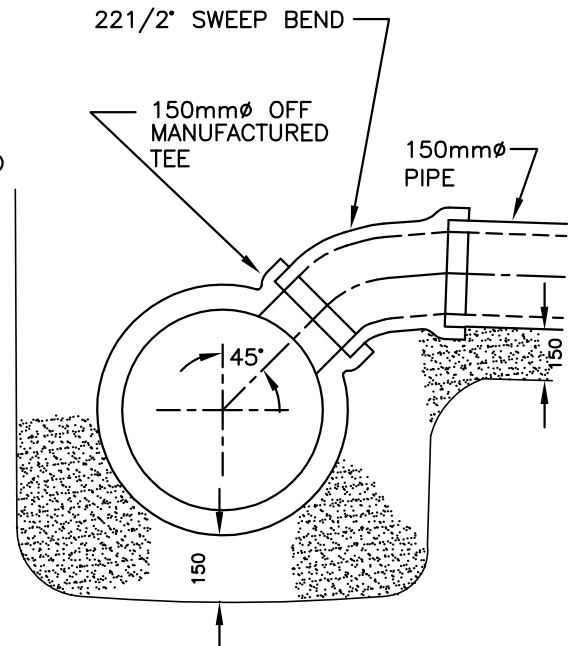


ELEVATION



DETAIL SHOWING METHOD OF CONNECTION TO SEWERS  
525mmØ & LARGER



DETAIL OF CONNECTION AT MAIN SEWER FOR STORM SEWER SIZES  
UP TO & INCLUDING 450mmØ

NOTES:

1. STORM HOUSE CONNECTIONS TO BE 150mmØ PIPE.
2. STORM PIPE MATERIAL IS TO BE PVC SDR 28 AND WHITE IN COLOUR.
3. WHERE PVC PIPE IS USED, CONCRETE SEWER MAIN SHALL BE CORED ON SITE AND CONNECTED WITH A PVC "MORTAR-ON-ADAPATOR" OR SHALL HAVE AN APPROVED MANUFACTURED TEE.
4. FOR BEDDING DETAILS SEE OPSD SECTION 800 AND TOWN OF WHITBY ADDITIONAL CONDITIONS.

ALL DIMENSIONS IN MILLIMETRES EXCEPT WHERE NOTED

THE CORPORATION OF THE TOWN OF WHITBY

PUBLIC WORKS DEPARTMENT

CHECKED	<i>CA</i>
APPROVED	<i>AB</i>
SCALE:	N.T.S

**STORM SEWER RESIDENTIAL  
SERVICE CONNECTION**

DWG. DATE:	JANUARY 1993
REVISION No.:	1
REVISION DATE:	JUNE 1999
DWG No.	106